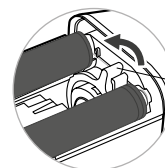
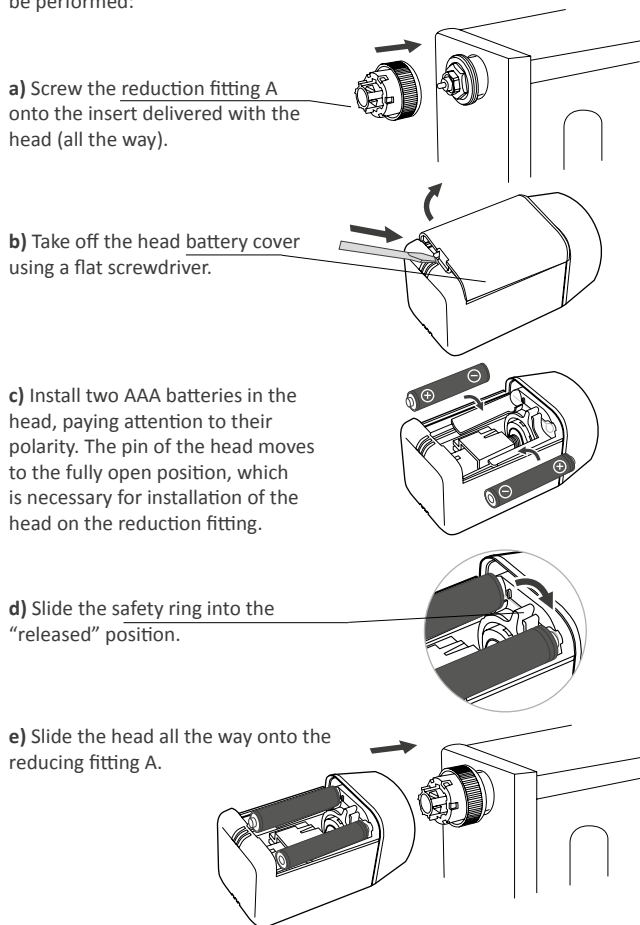
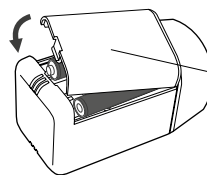


Method of installation of the TRA head on a radiator with an M30x1.5 insert

In order to install the **Auraton TRA** head on a radiator with the most common insert in the market, i.e. M30x1.5, the following actions must be performed:



f) Turn the safety ring into the "secured" position.

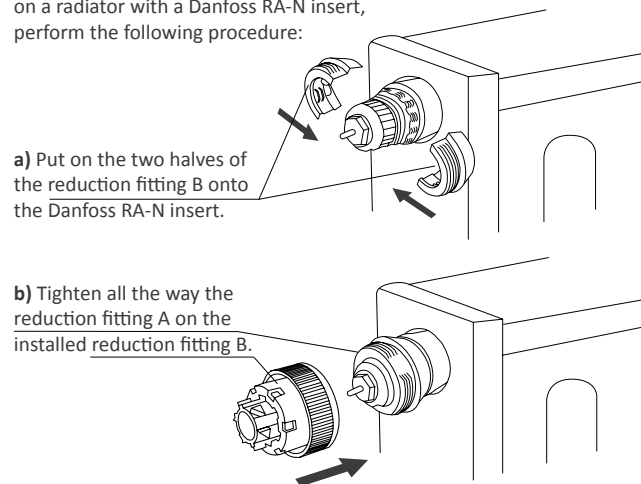


g) Pair the head with the **Auraton 200 TRA**, unless pairing has been done earlier.

h) Close the head battery cover.

Installation on the head with a Danfoss RA-N insert

In order to install the **Auraton TRA** head on a radiator with a Danfoss RA-N insert, perform the following procedure:



c) Perform steps **b)** through **h)** in the chapter titled "Method of installation of the TRA head on a radiator with an M30x1.5 insert."