

FLOOD SENSOR 2.0

SMART Flood Sensor

AURATON Flood Sensor 2.0 is a new generation of flood sensors equipped with a replaceable battery. Designed with your home's safety in mind, the device instantly detects the presence of water, helping to minimize the risk of serious damage caused by leaks.

Thanks to integration with the AURATON Box gateway and the SUPLA app, you will receive an immediate notification on your smartphone whenever a water leak is detected. What's more, the sensor can automatically send a signal to the AURATON Flood Sensor Valve, which shuts off the water supply, effectively protecting both your plumbing system and your property.

The device features a thoughtfully designed enclosure with functional side fins, allowing the housing to be opened and closed quickly and conveniently without the need for tools. Its compact size and durable construction make it easy to install in hard-to-reach places—under a cabinet, washing machine, or dishwasher—ensuring protection exactly where it is needed most.

A new feature introduced in the AURATON Flood Sensor 2.0 is the built-in vibration sensor (shock sensor), which detects movement, impact, or attempts to relocate the device. This functionality enhances operational security and enables a faster response whenever the sensor's position is disturbed.



Backup communication with the Flood Sensor Valve



IP 65 waterproof rating



Advanced radio signal modulation extends the communication range between the Flood Sensor 2.0 and the Flood Sensor Valve by up to two times



Replaceable battery



Two-way radio communication

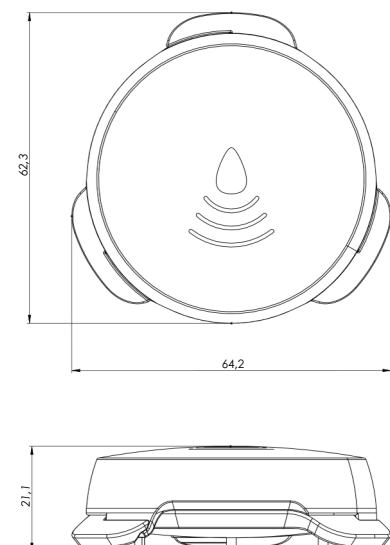


Shock sensor



Over-the-Air (OTA) firmware updates directly from the mobile app

Operating temperature range	1°C – 45°C
IP protection class	IP 65
Humidity range	≤85% relative humidity, non-condensing
Device status monitoring	LED indicator, sound alarm
Power supply	CR2032 (replaceable)
Integration with internet gateway	AuratON Box
Radio frequency	865,500 MHz 867,200 MHz 868,150 MHz 868,450 MHz 869,800 MHz
Radio signal power	-11 dBm
Radio receiver category	2
Operating range	Up to 50 m in typical buildings with standard wall construction; up to 150 m in open space



FOR SMARTER LIVING